



Service Manual

Washing machine

Frontloader

AWG 329

Model Version		Page
AWG 329 8537 329 15000		
	Spare part list	2 - 3
	Exploded view	4 - 6
	Wiring diagram	7
	Circuit diagram	8
	Program diagram	9

Spare part list

Model AWG 329
Service No. 853732915000
Version 853732915000

Pos. No.	12NC Code	Description
001 0	4812 904 48001	Cabinet
013 0	4819 500 13031	Foot, fix
021 0	4812 904 48002	Cover
024 0	4812 440 19674	Panel, rear
025 0	4819 905 00339	Support
025 1	4812 440 98055	Support
030 0	4819 905 00417	Table top
040 0	4819 905 00336	Hinge
041 0	4819 310 39207	Hinge
041 1	4819 404 79091	Base
041 2	4819 404 79092	Support
041 3	4819 462 48454	Plug
041 4	4819 417 19469	Hinge
053 0	4819 905 00396	Plinth
054 0	4819 905 00347	Screw
061 1	4812 466 88505	Counter weight front
065 2	4812 418 18252	Ledge tub
065 4	4819 905 00327	Insulation
080 0	4819 905 00315	Shock absorber
083 1	4819 905 00311	Bracket
084 0	4819 905 00333	Bushing
130 0	4819 905 00337	Hook
130 1	4819 417 53024	Lock Door
134 0	4819 404 79093	Support
143 0	4812 450 18113	Glass door cpl.
190 0	4819 905 00317	Door bellow
190 1	4819 905 00304	Strap
190 2	4819 905 00305	Strap
200 1	4819 905 00324	Lid
210 0	4819 905 00393	Crosspiece
210 1	4819 905 00391	Protector
220 0	4812 418 18253	Drum
220 2	4819 905 00384	Part of drum
223 0	4819 905 00312	Drum lifter
228 0	4819 905 00376	Crosspiece,drum
252 0	4819 905 00408	Support
252 1	4819 905 00407	Gasket
252 9	4819 905 00401	Spacer
271 0	4812 358 18163	Belt
272 0	4819 905 00321	Pulley
272 3	4812 530 78042	Hoop
292 0	4812 520 58003	Gasket Tub
293 0	4819 905 00364	Seal
301 0	4812 452 10166	Control panel AWG 329
303 0	4812 498 78068	Handle
303 1	4812 498 78064	Panel Dispenser
305 1	4819 466 89296	Insert
305 3	4819 462 73681	Cap
331 0	4819 905 00341	Knob
332 0	4819 905 00343	Push button
335 0	4812 413 48303	Knob spin
341 1	4819 905 00423	Indication disc
341 2	4812 413 18247	Disc Timer
342 0	4819 905 00356	Scale
354 1	4819 134 23114	Pilot lamp

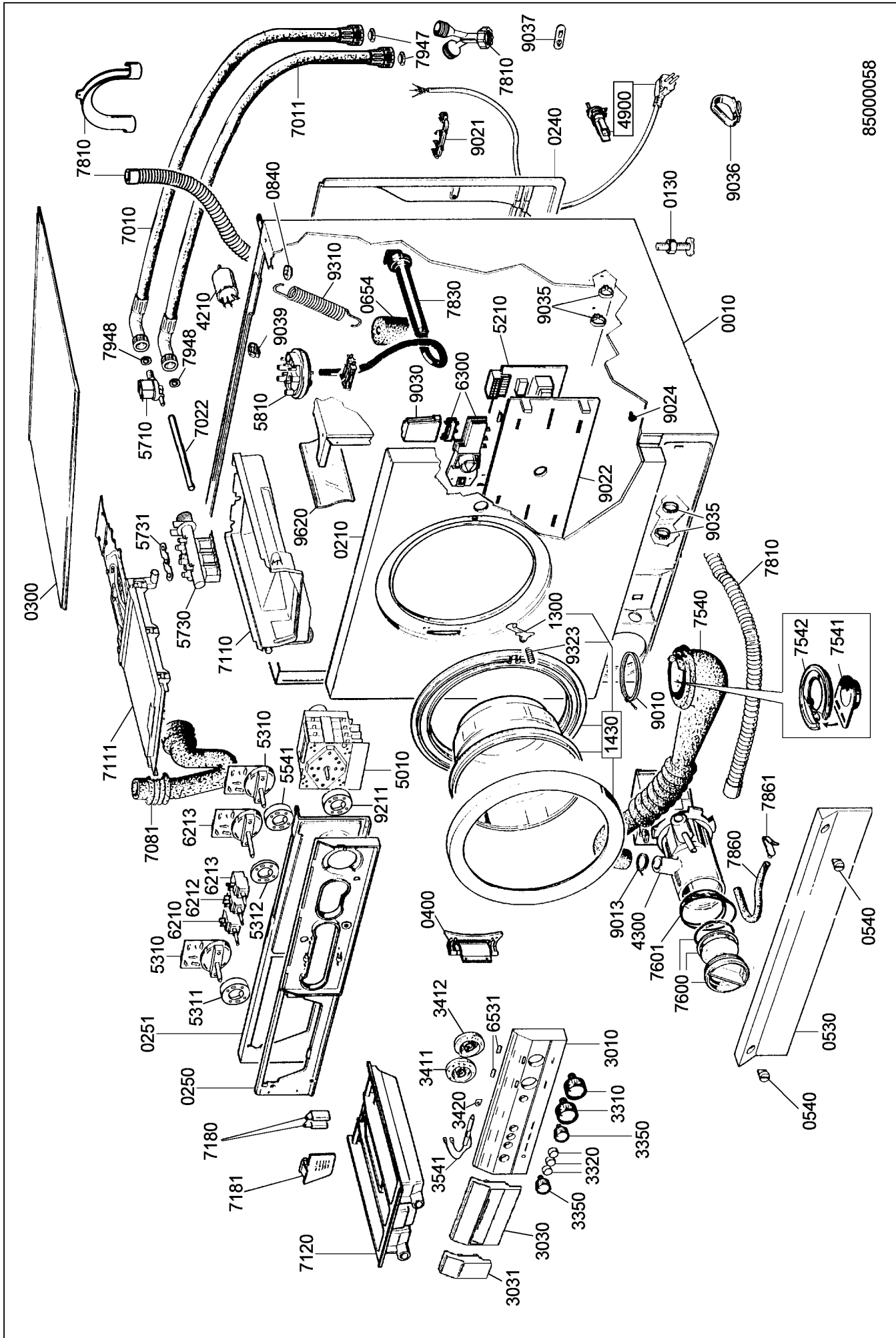
Pos. No.	12NC Code	Description
401 0	4812 361 58151	Motor
401 2	4812 256 98025	Holder motor
401 4	4819 905 00397	Motor
421 0	4812 121 18203	Interf.filter
430 0	4819 905 00374	Pump,draining
440 0	4819 905 00404	Fan dryer
451 0	4812 259 28725	Heating element
451 2	4812 256 98024	Holder f. heating
451 3	4812 259 28726	Heating element dryer
490 0	4812 316 18011	Cable,mains
501 0	4812 282 18678	Timer
521 0	4812 282 18679	Module
531 0	4812 273 88001	Switch
531 1	4819 905 00368	Spacer
551 6	4812 210 78011	Thermostat
552 0	4812 210 78013	Thermostat double
554 1	4812 530 58108	Ring f. Thermostat
564 0	4812 210 78012	Thermostat Dryer
571 0	4819 905 00442	Valve
573 0	4812 281 28398	Valve,magnet thrice
573 1	4812 466 98951	O-Ring valve
581 0	4812 271 28432	Pressostat
621 0	4812 276 18295	Switch
621 2	4819 905 00361	Switch on/off
621 3	4812 273 88002	Switch
621 3	4819 905 00335	Switch
630 0	4819 905 00375	Door lock
653 1	4819 905 00328	Cover f. lamp
701 0	4819 905 00443	Hose, inlet
701 1	4819 905 00346	Hose, inlet
702 0	4812 530 28962	Hose
702 2	4812 530 28964	Hose
708 1	4819 905 00338	Hose, inlet
711 0	4812 418 88041	Dispenser
711 1	4812 262 78002	Cover
712 0	4819 905 00348	Soap dispenser
718 0	4819 905 00345	Siphon
718 1	4819 905 00344	Accessory
743 0	4819 905 00381	Conveyor
743 3	4819 905 00405	Fan box
743 4	4819 905 00398	Cover
754 0	4812 530 28963	Drainhose
754 1	4819 905 00362	Valve
754 2	4819 905 00363	Valve holder
760 0	4812 480 58088	Filter set pump
760 1	4819 905 00357	Insert piece
781 0	4819 905 00322	Hose,draining
781 2	4819 530 23139	Connection
783 0	4819 905 00325	Hose
786 0	4819 905 00352	Hose
786 1	4819 905 00323	Threaded cap
787 0	4819 905 00351	Steam hose
792 1	4819 905 00403	Gasket
792 2	4819 905 00406	Gasket
792 3	4819 905 00402	Gasket heatingelement

Spare part list

Model **AWG 329**
Service No. **853732915000**
Version **853732915000**

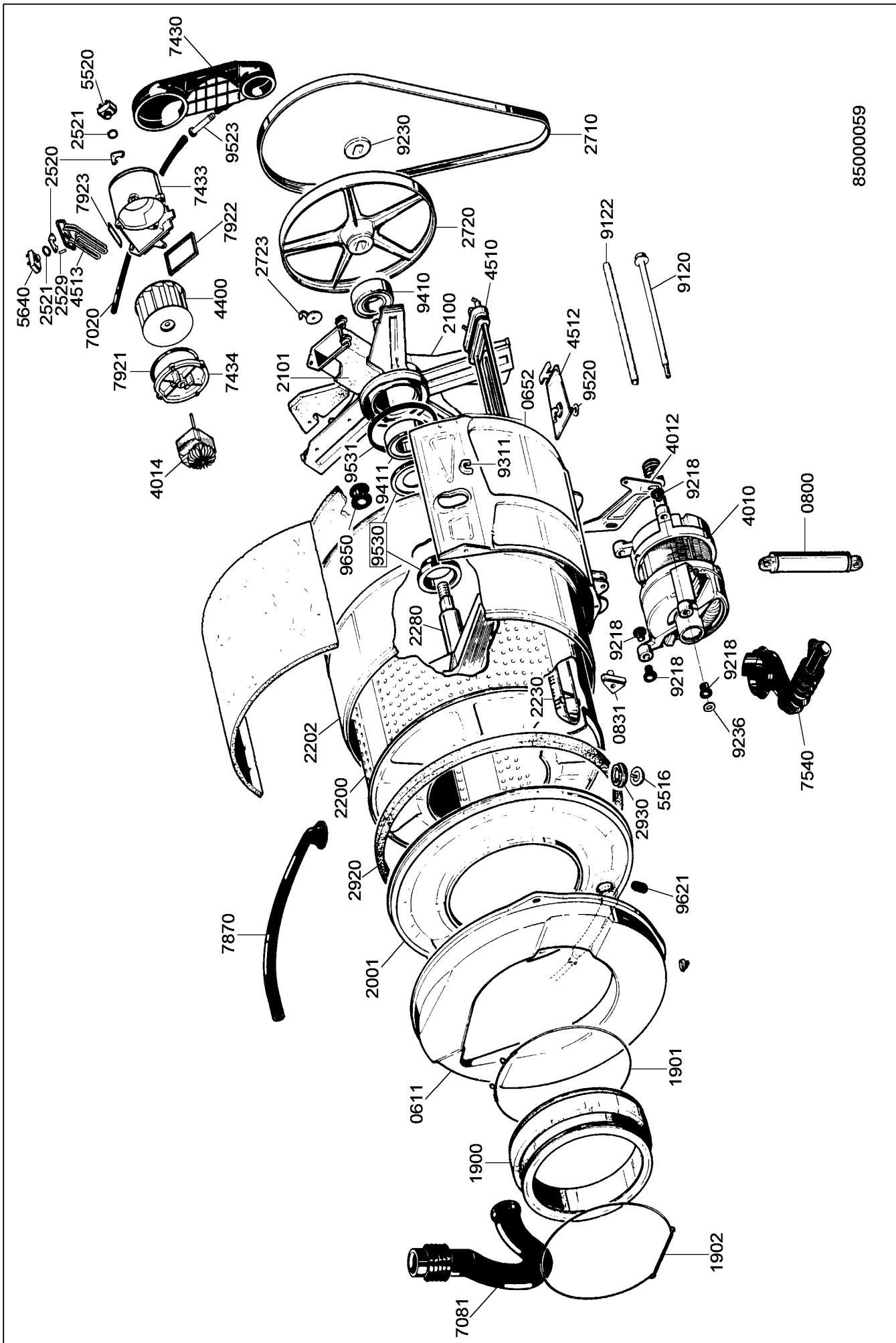
Pos. No.	12NC Code	Description
794 7	4819 480 53059	Filter
794 8	4819 466 63372	Gasket border valve
901 0	4819 905 00303	Clamp,hose
902 1	4819 905 00355	Bracket
902 2	4812 404 78324	Holder f. E-modul
902 4	4819 905 00329	Rubber
903 0	4819 905 00433	Holder,hose
903 5	4819 905 00353	Clamp,cable
903 6	4819 905 00354	Bracket
903 7	4819 502 13319	Fastener f. cable
903 9	4819 905 00332	Holder,hose
912 0	4812 505 18375	Bolt
912 1	4819 526 28009	Magnet
912 2	4812 532 48037	Bushing Motor
921 1	4819 905 00359	Spacer
921 8	4819 905 00306	Ring,rubber
923 0	4819 532 13446	Washer
923 6	4812 930 08003	Nut
931 0	4819 905 00373	Spring
931 1	4819 905 00314	Spring
932 3	4819 905 00349	Spring
941 0	4819 905 00369	Bearing,ball
941 1	4812 520 28123	Bearing,ball front
952 0	4819 905 00302	Seal
952 3	4819 905 00383	Nozzle
953 0	4819 905 00392	Ring
953 1	4819 905 00388	Gasket
962 0	4812 463 48003	Cover
962 1	4812 690 18023	protective sle.
965 0	4819 905 00318	Cap

Exploded view



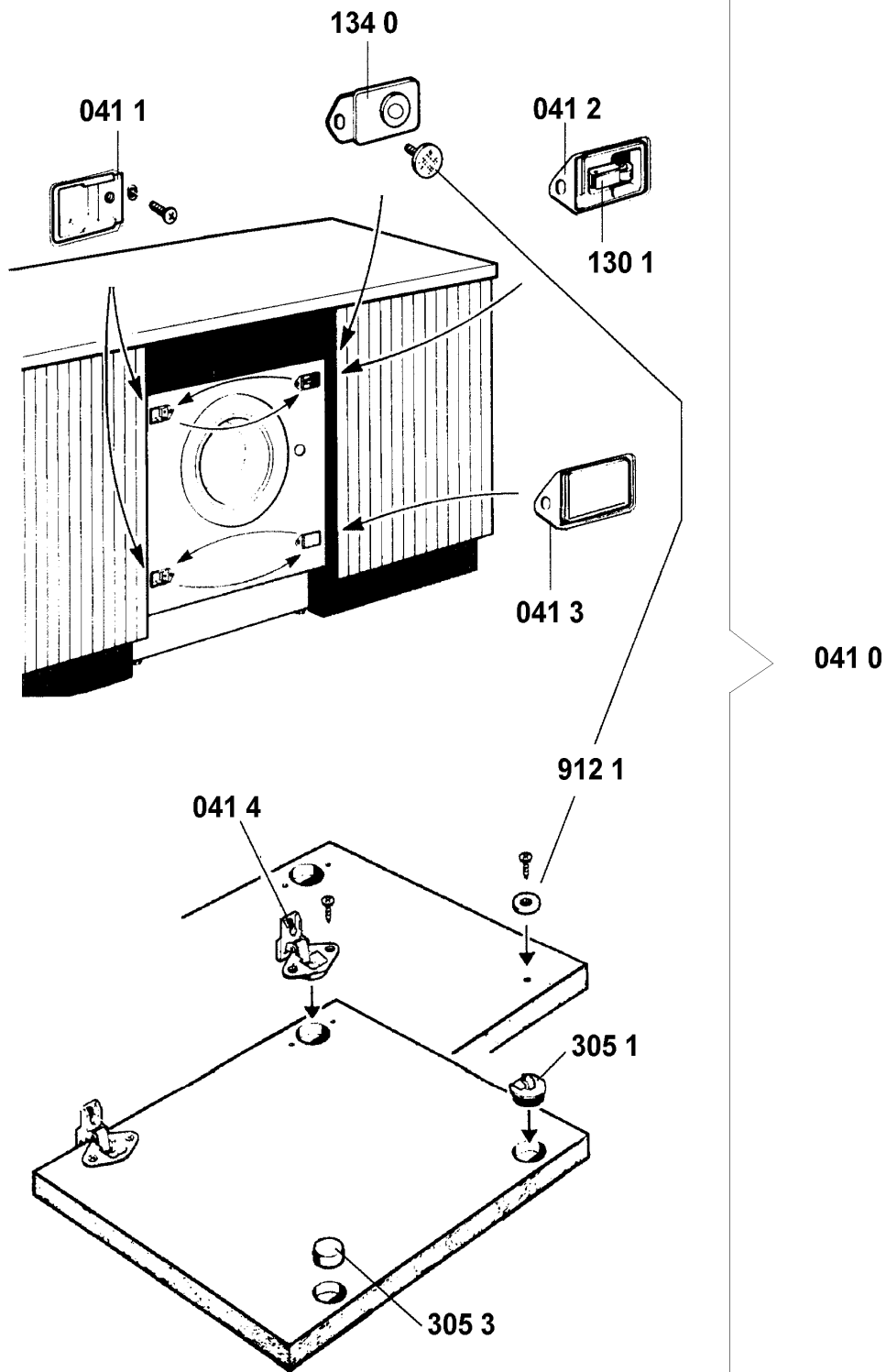
85000058

Exploded view

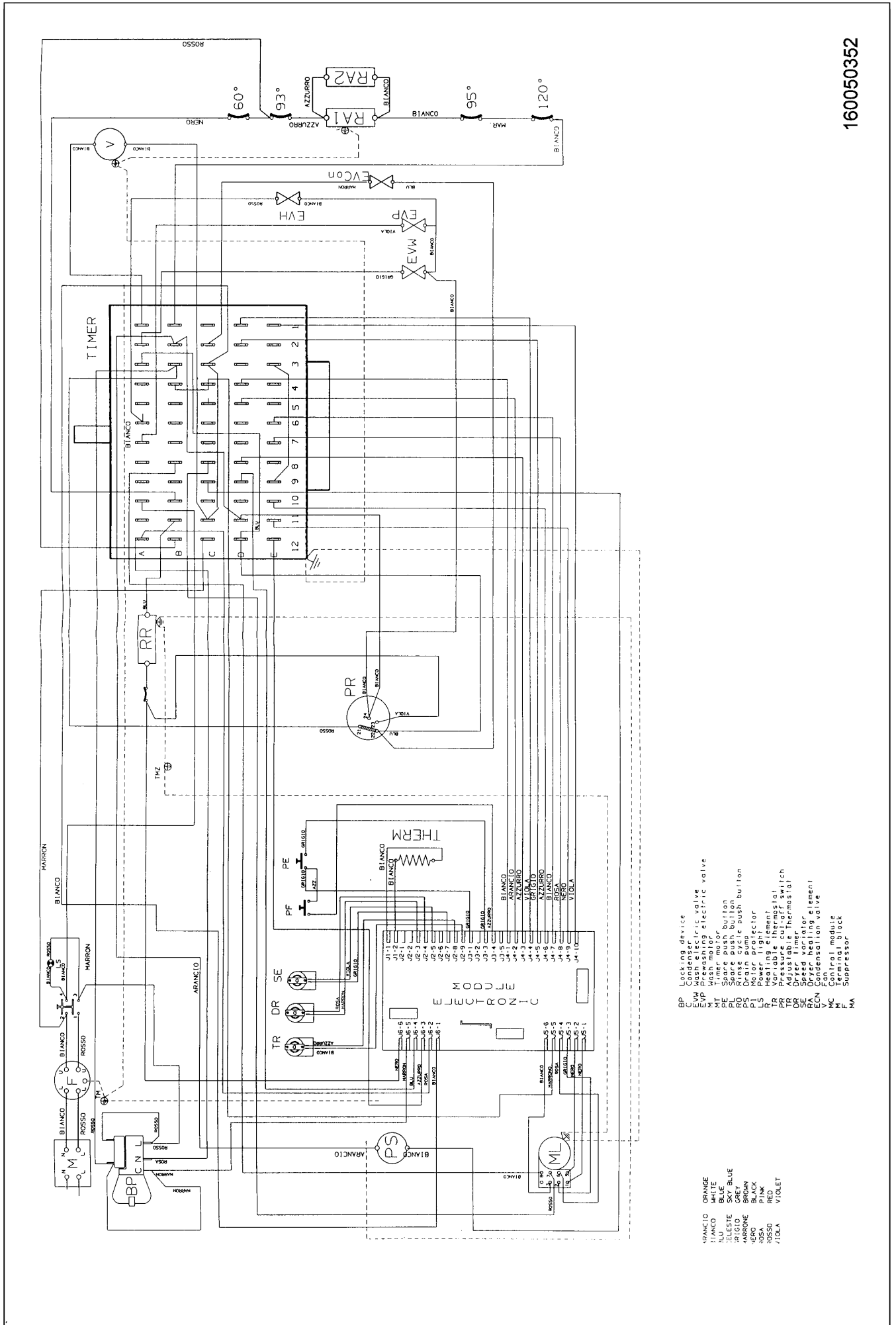


85000059

Exploded view

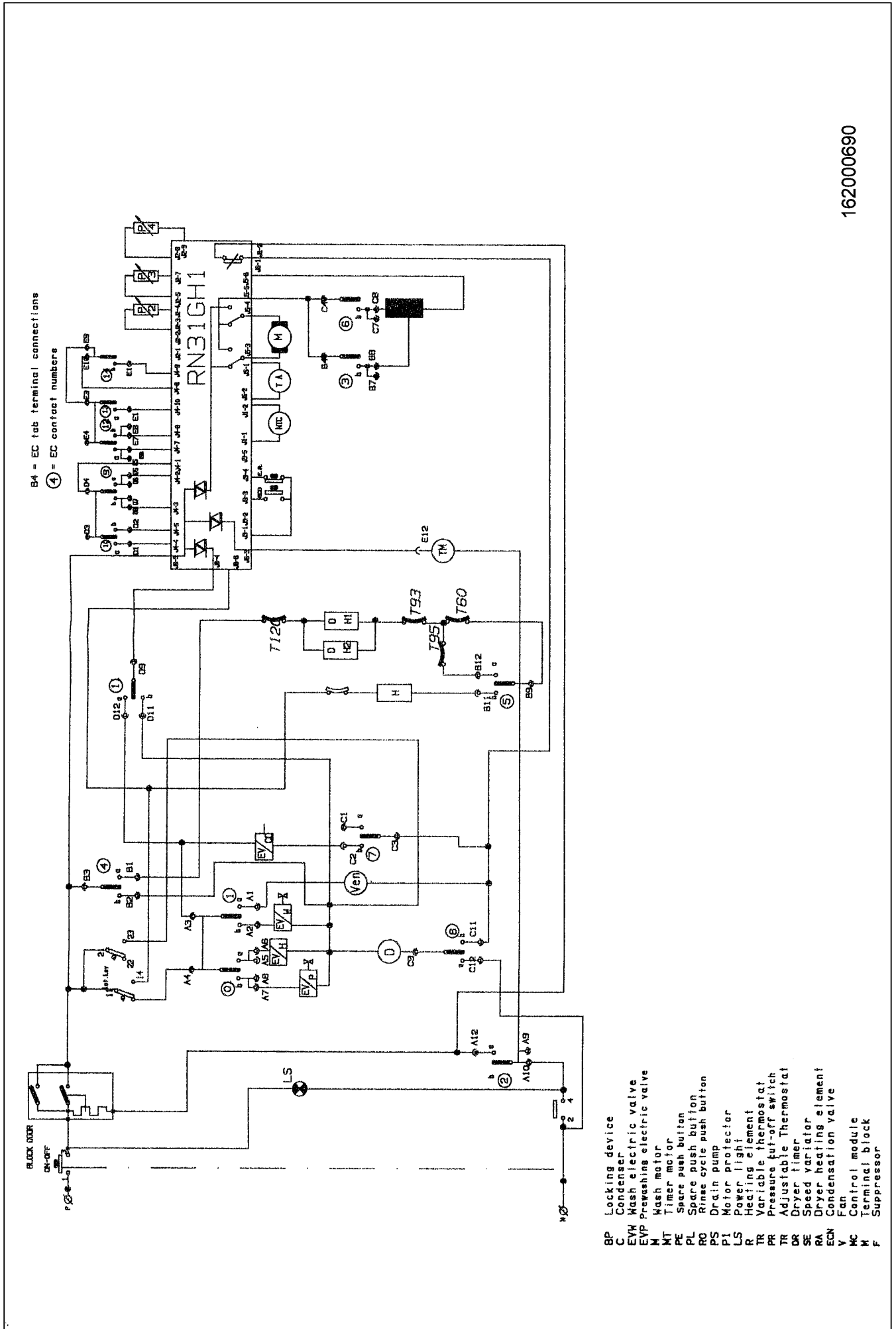


Wiring diagram



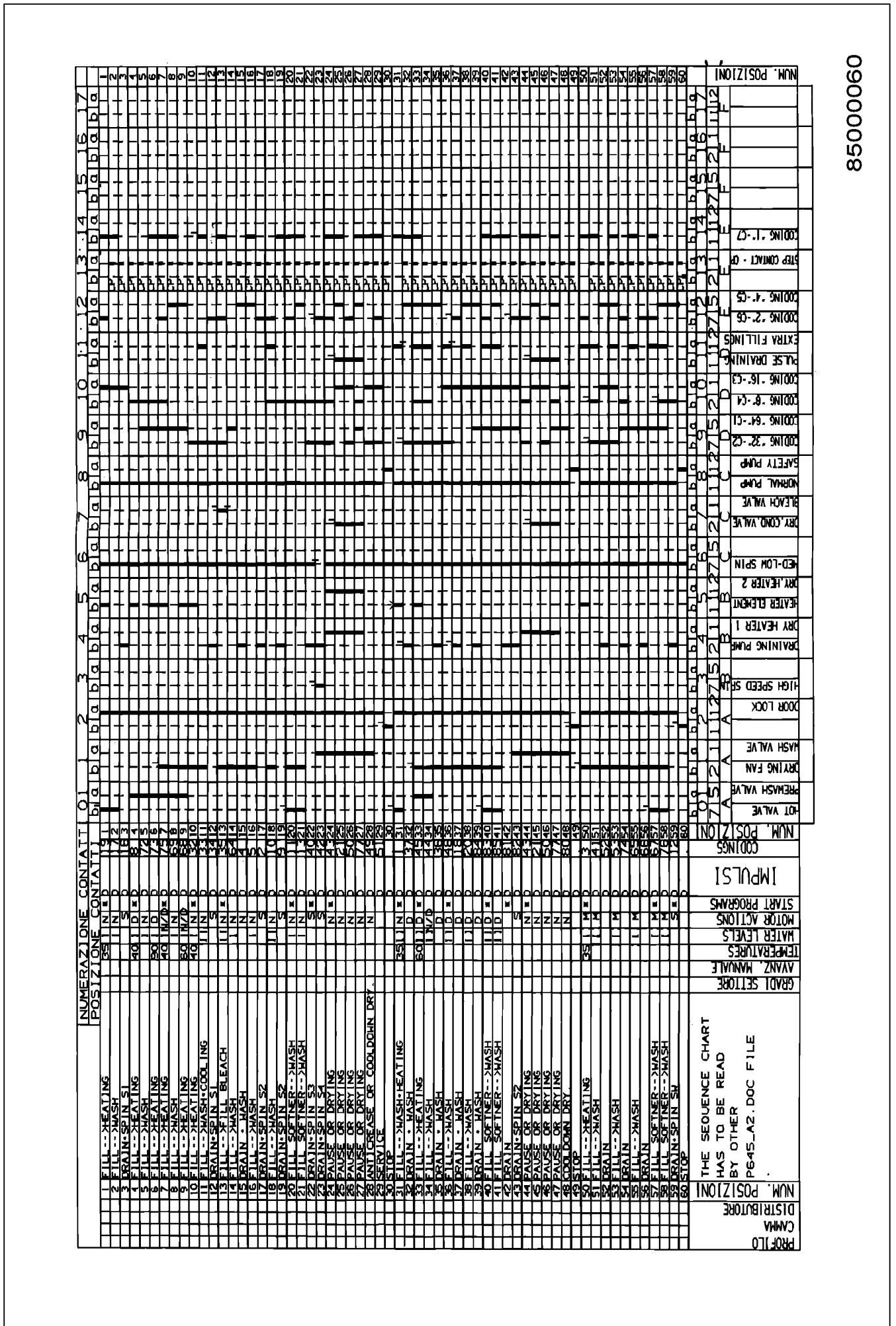
160050352

Circuit diagram



162000690

Program diagram



85000060

THE SEQUENCE CHART
HAS TO BE READ
BY OTHER
P645_A2.DOC FILE