

Model type:  
**W421WF**

Commercial code:  
**01225**

## General notes

### Technical Documentation guidelines

---

---

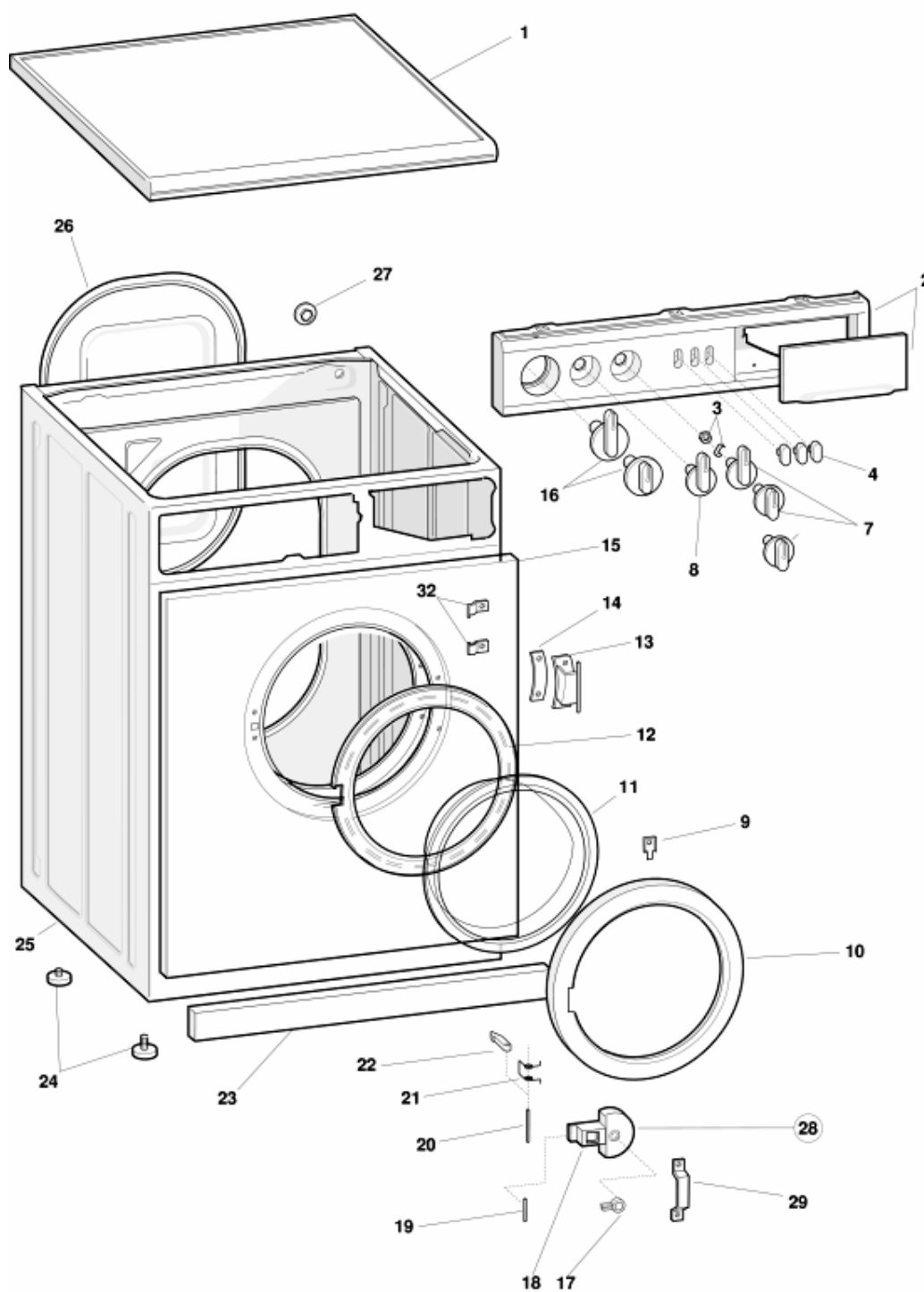
You can find herewith some generic information to simplify consulting of technical documentation:

1. Models of same range share the same exploded views, which report the richest set of spare parts: generally, a model does not necessarily have a related spare part for each particular shown on exploded views.
2. Some spare parts can not be represented directly on the exploded views (instruction booklets, specific kit, etc...). You can find those codes in the spare parts list with the same reference of particular where spares are installed or with references 099, 999. Instruction booklets, once managed, appear with 000 reference.
3. On the higher right site of each exploded view there is a serial number which indicates the beginning of the production of certain range: some models might have more than an exploded view for a given category, each distinguished by a different serial no. and linked to another spare parts list, In this case, serial no. is required to supply the right spare part code. Exploded view to be considered is the one with a more recent serial no. but previous than the one of the model that needs assistance.
4. Exploded views might require further updates even after publishing. Addition of new spares will go on following the already existing numeration references. Revision number of an exploded view is shown into last four digits of serial number into upper right hand corner.
5. The spare parts list associated to an exploded view shows related codes of spares managed for a certain model; for each spare part other informations are available:  
  
REF: reference no of spare into a table; SUBSTITUTE: list of spare(s) which can replace a code but that keeps same functional characteristics  
  
INDUSTRIAL CODE: list of variables of a model (shown into model label) where such spare is used; NOTICE: code of information(s) to refer to complete technical intervention, track for changes or to find correct spare part code.
6. Some notices, into a same section are generic therefore cannot be directly linked to a spare part. In order to assist a model in the best way as possible, it is helpful to pay attention to all notices and constantly verify documentation updates
7. Technical documentation cover shows model name and its commercial codes

1110110

Exploded views

Matr. 10314.0001



1110110

1110110

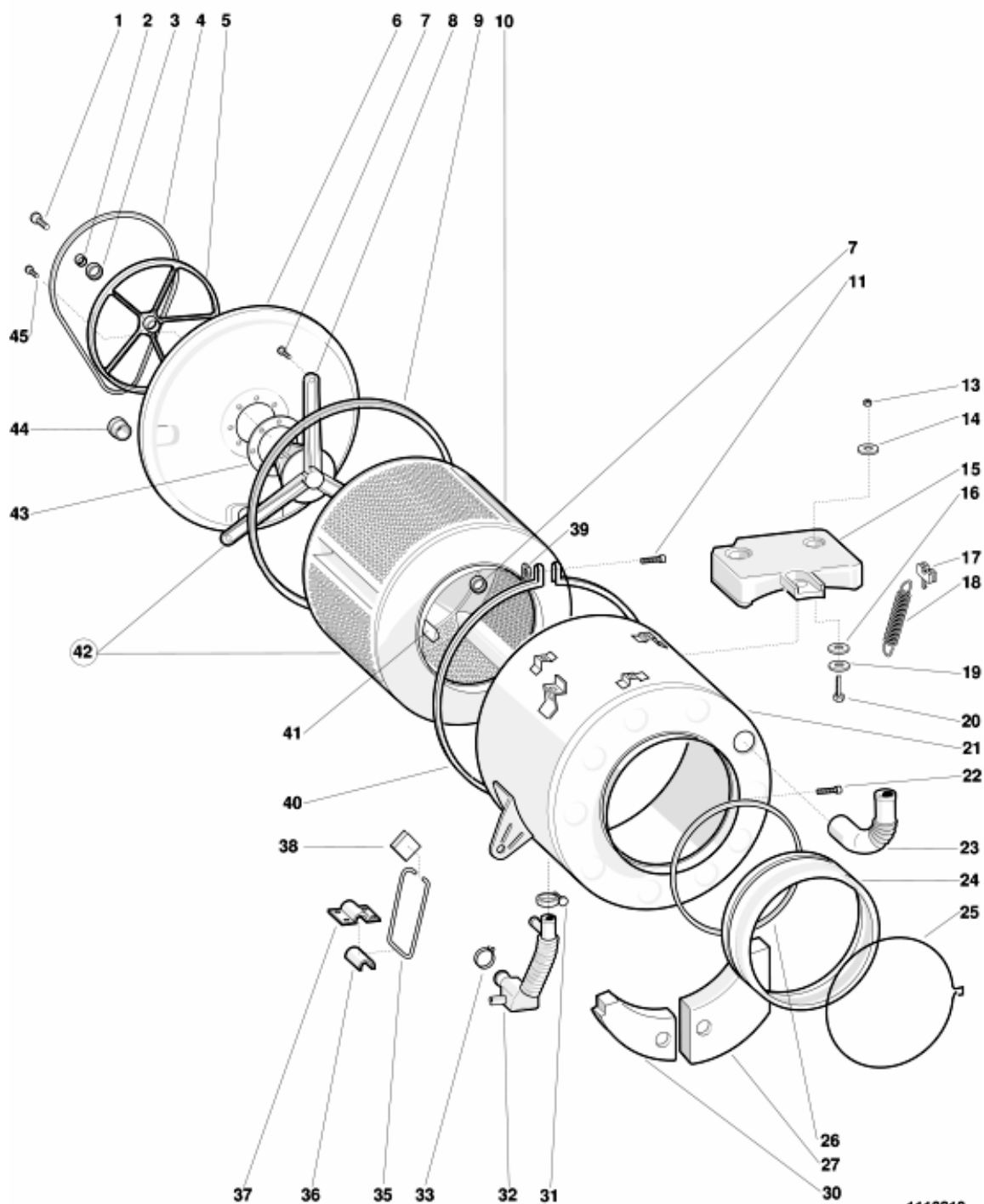
Spare parts list

Ref.	Code	From	To S/N	Substitute	Description	Notice	Industrial
001	C00102504			1 x C00102503	top white 26		
001	C00104406				panel top fixing		
002	C00036659				dasboard		
002	C00036661				drawer handle white 421		
004	C00100847				push-button knob white 27		
005	C00034319			1 x C00104581	knob plate		
009	C00104254				door glass bracket		
010	C00101959				door frame white 27		
011	C00101297				door glass		
013	C00034320				door hinge - on cabinet		
016	C00100969				timer knob white 27		
020	C00105477				pivot pin		
021	C00044085				plug cabinet		
021	C00105487				spring - for door handle		
022	C00104100				hooked striker - door handle		
024	C00104610				fixed foot		
024	C00104633				foot 35 mm		
025	C00034362			1 x C00037805	26 white cabinet	0111003	
025	C00037805				cabinet white large porthole	0111003	
026	C00101689				back panel white 26		
027	C00020664				collar for drain hose		
028	C00104082				handle lever white 27		

1110210

Exploded views

Matr. 10314.0001



1110210

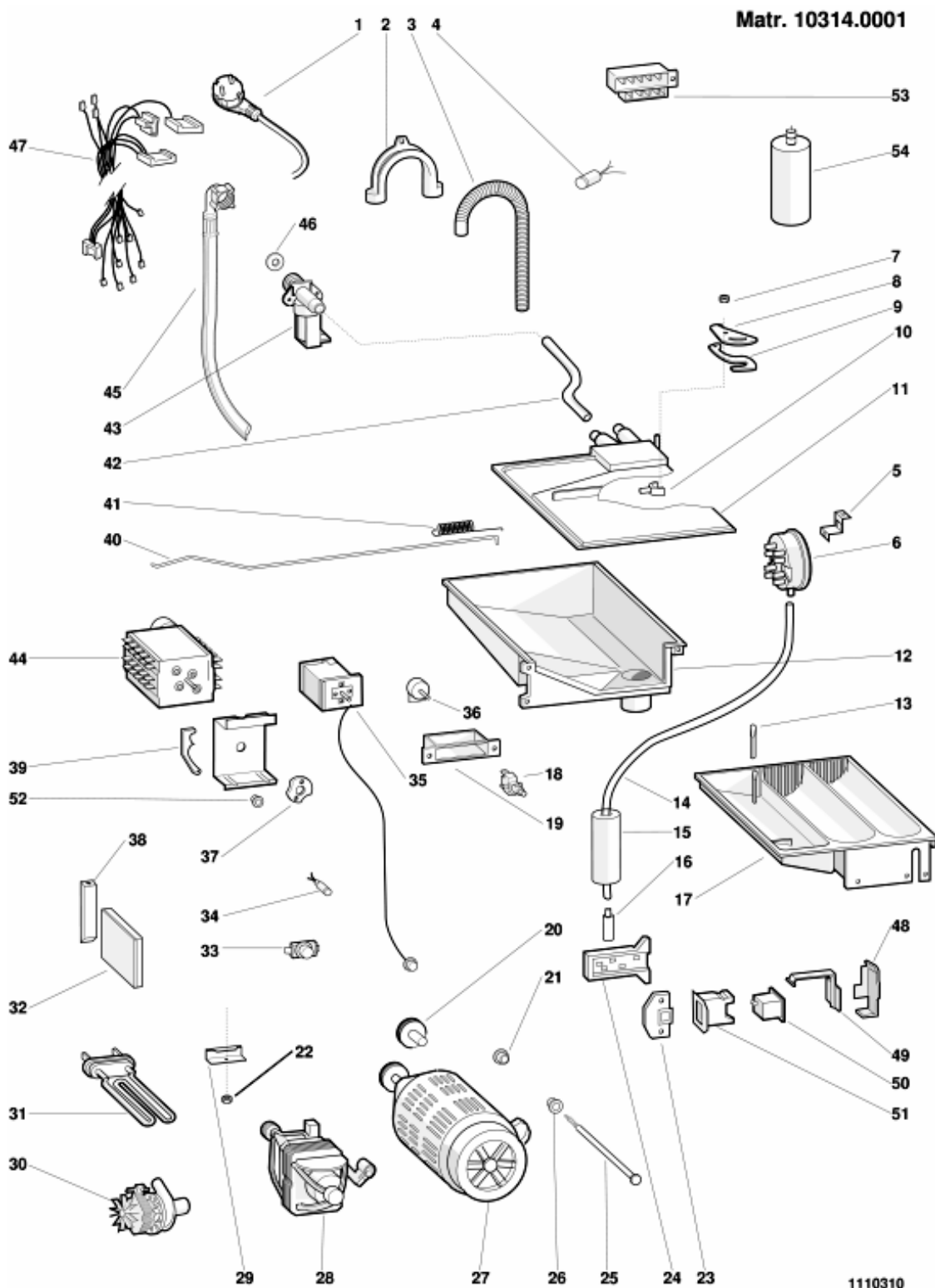
1110210

Spare parts list

Ref.	Code	From	To S/N	Substitute	Description	Notice	Industrial
001	C00034335				bolt - drum pulley fixing m10	n1040259	
002	C00034337				washer 10,5 x 21	n1040259	
003	C00034336				washer d33xd9xsp2	n1040235	
004	C00104497				drum belt		
005	C00104529				drum pulley		
006	C00034546			1 x C00103440	tank backplate (with heater hole)		
007	C00038552				bolt		
007	C00104425				bolts + washers		
007	C00104453				washer d. 8,4 x d.17		
008	C00036058			1 x C00037028	bearing assembly (splines) 400-	0111003	
008	C00037028				bearing assembly (splines) 400-	0111003	
009	C00103637				seal - tankback d= 486 mm		
010	C00036059				stainless drum		
011	C00104428			1 x C00014855	bolt m8 x 80 - tank back clamp		
015	C00104538				top counterweight		
017	C00104408				buffer - tub suspension spring		
021	C00034539			1 x C00037809	tank large porthole	0111003 0111045	
021	C00037810			1 x C00037809	tank-large porthole without heater	0111045	
023	C00103656				hose - dispenser to tank		
024	C00103633				door bellows seal - large		
025	C00104368				clamp - door bellow seal/cabinet		
026	C00104367				clamp - door bellows seal/tank		
027	C00104544				counterbalance weight - front		
032	C00108874				hose-tub to pump	0111025	
035	C00034313			1 x C00104597	clamp - damper spring		
036	C00034314			1 x C00104597	plastic bush-damper spring clamp		
037	C00034315			1 x C00040888	saddle - damper spring clamp		
038	C00034316			1 x C00029588	rubber cap for friction pad grey	0111012	
040	C00104364				clamping band - outer tank back		
043	C00103642				gasket - bearing hub		
043	C00106456			1 x C00103642	hub gasket	0111003	
044	C00103677				grommet - adjustable thermostat		

1110310

Exploded views



1110310

1110310

Spare parts list

Ref.	Code	From	To S/N	Substitute	Description	Notice	Industrial
001	C00022357			1 x C00024521	supply cable 3x1 schuko l= 2,70 m		
003	C00108885			1 x C00023860	outlet hose		
004	C00105141				radio interference suppressor		
005	C00034346				bracket - pressure switch		
006	C00034375				double level pressure switch		
008	C00034366				diverter pivot arm		
009	C00034365				toothed moulding for diverter		
010	C00034364				diverter jet - dispenser		
011	C00034363			1 x C00103210	hopper cover		
012	C00034360			1 x C00103214	dispenser drawer housing		
013	C00103224				siphon - detergent drawer		
014	C00034325			1 x C00103834	pressure switch hose l 560 mm		
016	C00103883				air trap cap one way 117 mm		
017	C00103223				detergent drawer		
018	C00036175				push-button switch		
021	C00104675				motor rubber bush		
022	C00103682				seal - heater bracket		
023	C00034439				microswitch holder		
026	C00104479			1 x C00039660	motor mounting stud		
027	C00034685				motor 220 400 rpm imep		
029	C00034332				bracket - heater element/tub		
030	C00108264				drain pump 220-240 v.	0111025	
031	C00105266			1 x C00046976	heater 2000w 220v		
034	C00106826			1 x C00017125	warning light		
035	C00034377				adjustable thermostat		
037	C00108240				distributor cam ce/n-cd/n		
039	C00104721				cam follower		
040	C00104719				metal operating rod - dispenser		
041	C00104576				spring - dispenser diverter		
042	C00034544			1 x C00033621	hose-valve to dispenser		
043	C00106660			1 x C00015504	electrovalve 1 way		
044	C00105093				timer 1136 (910b2i) cd/n	0111018 0111020	
045	C00003070				mains inlet hose cold 25c 10bar		
046	C00005572				sealing washer-mains inlet hose		



1110310

Spare parts list

Ref.	Code	From	To S/N	Substitute	Description	Notice	Industrial
046	C00005781				inlet hose filter		
048	C00027109				microswitch holder (70707)		
050	C00108939			1 x C00027110	microswitch		
052	C00034361				cam follower bush		
053	C00034356				terminal block		
054	C00013582				capacitor 16 mf		

## Notices

## 0111003: INTERCHANGEABLE SPARE PARTS - NONE

After moving production of clothes washers and washer dryers to other plants, some components can no longer be produced and when current stock is exhausted, they will be substituted by the following parts:

Substituted codes:

## Hubs

Code 106620 Esi with code 037403 (200 mm)  
Code 104502 Esi with code 037403 (200 mm)  
Code 104504 Esi with code 037402 (200 mm)  
Code 104508 Esi with code 104513 (210 mm)  
Code 104512 Esi with code 104511 (210 mm)  
Code 104510 Esi with code 104509 (210 mm)  
Code 035531 Esi with code 037403 (200 mm)  
Code 035263 Esi with code 037402 (200 mm)  
Code 104514 remains operative (210 mm)  
Code 104513 remains operative (210 mm)  
Code 037029 remains operative (200 mm)  
Code 037028 remains operative (200 mm)  
Code 036058 remains operative (Teverola) (200 mm)  
Code 104501 remains operative (Teverola) (200 mm)  
Code 104511 remains operative (210 mm)  
Code 037402 remains operative (200 mm)  
Code 037403 remains operative (200 mm)  
Code 104509 remains operative (210 mm)  
Code 104503 Esi with:  
Code 103441 - Enamelled tub lid  
Code 037403 - Tub hub 1000/1200 rpm VT Indesit  
Code 103642 - Hub gasket  
Code 039635 - Screw M8X18 with loctite (6 pieces)  
Code 103637 - Hub lid gasket

## CABINETS

Since for Indesit use of coloured cabinets has been small, we only have white ones in the line.  
The codes for the cabinets that will permit us to cover all the various requirements are listed below.

## CLOTHES WASHER

Code 034362 ESI with code 037805  
Code 034535 ESI with code 037805  
Code 034597 ESI with code 037807  
Code 034626 ESI with code 037803  
Code 034627 ESI with code 037806  
Code 034628 ESI with code 037802  
Code 034631 ESI with code 037802

Code 034690 ESI with code 037805  
Code 034691 ESI with code 037803  
Code 034692 ESI with code 037803  
Cod. 034694 ESI with code 037808  
Cod. 034695 ESI with code 037803  
WASHER-DRYER

Code 034480 ESI with code 037803  
Code 034696 ESI with code 037803  
Code 035140 ESI with code 037804

As for the front panels, it was decided to keep the long one only, code 034908 (034629 for the board), and the short white base, code 101744, and eliminate the colour variations.

The dual hole solenoid valve will be on the back of the cabinets and if necessary can be plugged with the solenoid-valve hole plug, code 015308.

#### TUBS

Only tubs with pressure intake hole will be kept in the line, with coupling and closed air trap; consequently they can also be used for appliances currently in production.

The substituted codes are:

Code 034527 ESI with 037809 (with pressure intake)

Code 034539 ESI with 037810 (with pressure intake)

Code 035211 ESI with 103400 \*

Code 034861 ESI with 037022 (with pressure intake)

Code 034985 ESI with 037025 (with pressure intake)

Code 103404 ESI with 037025 (with pressure intake)

Code 034918 ESI with 037811 (with pressure intake)

Code 103406 ESI with 037812 (with pressure intake) \* For the moment tubs 035211 can still be found and it is unnecessary to determine the ESI.

As for the drums the situation differs depending on the type of machine.

Clothes washer and washer-dryer 1000/1200 rpm

Code 103257 substituted by:

Code 036059 - Drum OBG

Code 037029 - Hub + crosspiece 1000/1200 WN-WD

Code 103441 - Tub lid

Code 039635 - Screw M8X18 with loctite (6 pieces)

Code 103642 - Hub gasket

Code 103637 - Tub lid gasket

Code 030679 - Screw TE 10x25 (3 pieces)

Code 030680 - Self-braking nut M10 (3 pieces)

Code 030681 - Washer TP 26 X 10.5 X 2 (3 pieces)

Code 103256 substituted by:

Code 036059 - Drum OBG

Code 037029 - Hub and crosspiece 1000/1200

Code 103441 - Tub lid

Code 039635 - Screw M8X18 with loctite (6 pieces)

Code 103642 - Hub gasket

Code 103637 - Tub lid gasket

Code 030679 - Screw TE 10X25 (3 pieces)

Code 030680 - Self-braking nut M10 (3 pieces)

Code 030681 - Washer TP 26 X 10.5 X 2 (3 pieces)

Clothes washer and Washer-dryer 800 rpm

Code 103257 Substituted by:

Code 036059 Drum OBG

Code 037028 Hub + crosspiece 800 rpm

Code 039635 - Screw M8X18 with loctite (6 pieces)

Code 103642 - Hub gasket

Code 103637 - Tub lid gasket

Code 030679 - Screw TE 10 X 25 (3 pieces)

Code 030680 - Self-braking nut M10 (3 pieces)  
Code 030681 - Washer TP 26 X 10.5 X 2 (3 pieces)  
Code 103256 Substituted by:  
Code 036059 - Drum OBG  
Code 037028 - Hub + crosspiece 800 rpm  
Code 039635 - Screw M8X18 with loctite (6 pieces)  
Code 103642 - Hub gasket  
Code.103637 - Tub lid gasket  
Code 030679 - Screw TE 10 X 25 (3 pieces)  
Code 030680 - Self-braking nut M10 (3 pieces)  
Code 030681 - Washer TP 26 X 10.5 X 2  
Code 103255 Substituted by:  
Code 036060 - Drum OBP  
Code 037028 - Hub 800 rpm  
Code 039635 - M8X18 screw with loctite (6 pieces)  
Code 103642 - Hub gasket  
Code 103637 - Tub lid gasket  
Code 030679 - Screw TE 10X25 (3 pieces)  
Code 030680 - Self-braking nut M10 (3 pieces)  
Code 030681 - Washer TP 26 X 10.5 X 2 (3 pieces)  
Code 103254 Substituted by:  
Code 036059 - Drum OBG  
Code 037028 - Hub + crosspiece 800 rpm  
Code 039635 - Screw M8X18 with loctite (6 pieces)  
Code 103642 - Hub gasket  
Code 103637 - Tub lid gasket  
Code 030679 - Screw 10X25 (3 pieces)  
Code 030680 - Self-braking nut M10 (3 pieces)  
Code 030681 - Washer TP 26 X 10.5 X 2 (3 pieces)

## 0111012: FRICTION PADS WITHOUT ASBESTOS

---

The new sliding blocks without asbestos are gradually employed in the washing-machines with serial number 21102.0001 produced in the factory in Teverola, in compliance with the new laws and in order to eliminate noises in stainless tubs.

The new brown sliding block, will still have the same code

034316 as that of the premodification grey one which will be used until complete termination of the stock.

Remember that the replacement of a sliding block necessarily requires the replacement of the other three in order to have uniformity both for the mechanical and type functions.

## 0111018: MODIFIED ELBI 1136CDN AND ELBI 1336CEN TIMERS

---

As from serial no. 30617.0001 and serial no. 30628.0001 the ELBI timer

1136 CDN code 105093 and the ELBI timer 1336 CEN code 034531 respectively were modified to resolve a problem which was occurring on some machines when taking in water: water spray was entering the softener compartment and causing the machine to start drawing from the compartment.

The new timer can be identified by the drawing number printed on its data plate (No. 16000150905) for the ELBI 1336 CEN

timer and No.

16000151008 for the ELBI 1336 CEN)

As far as the Elbi 1336 CEN is concerned, the contact functions have been modified on some steps as follows:

At steps 26-29-32 it opens on L-N and R-T and closes on contacts L-M and R-S.

The modified timers have the same sat codes as the premodification models.

The non modified timers can be used when replacing timers on washers which do not have the above problem.

## 0111020: USE OF NEW CROUZET 914/249 TIMER

---

As from serial no. 30719.0001, CROUZET 914/249 timers may be used as an alternative on washing machines using timers CDN ICE 918B21

or ELBI 1136 code 105093.

The new timer is fully interchangeable with the premodification timers and is therefore supplied with the same SAT code.

## 0111025: HOSE CLAMP WITH SCREW FOR CONNECTOR TO PUMP

---

To fasten the drum pipe of the pump more firmly to the pump pipe fitting, use a threaded clamp with screw to fix the part. This part is not supplied as a spare part since it easily available on the market.

## 0111045: REPLACEMENT OF TUBS

---

As from serial no. 00618.0001 the Air Trap on washers produced in the Teverola plant, has been moved from the tubs to the Tub/Pump Hose.

The tubs with Air Traps are also available as spare parts for the new appliances (notice 003) in that they are fitted with an air trap coupling code 103669 and a 30 mm closed air trap cap code 041796 that permits plugging the Air Trap Hole.

The bellows used on the premodification products are as follows:

For tubs without Heater Recess in Base:

Code 108875 - Hose Tub/Pump with Air Trap Blocked Off;

Code 108874 - Hose Tub/Pump with Air Trap;

For tubs with Heater Recess in Base:

Code 108876 - Hose Tub/Pump with Air Trap;

Code 108877 - Hose Tub/Pump with Air Trap Blocked Off ;

## n1040235: Restored the fixing of the anterior counterweight with platelets inserted in the tub

---

From the 11105.0001 registration number on the washing machines with plastic tubs produced in the Teverola factory, the fixing

of the anterior counterweight is restored with platelets inserted in the tub instead of those realised with self-threading screws, the system described in Notice N1040184.

The tubs maintain the same SAT code and are provided with the following particulars:

N° 3 Screws code cod. 014342;

N° 3 Conical washer cod. 055018;

N° 3 Plain washer cod. 034336.

Whenever the necessity may arise on a tub, proceed with diverting the self-threading screws that block the anterior counterweight., as it's compulsory to execute the fixing again avoiding in time a possible loosening and thus the breaking of the tub by utilising the registered screws (cod. 014342), the conical washers (cod. 055018), the plain washers (cod. 034336) and the platelets (cod. 055038).



## Legend

Legend: 111001a

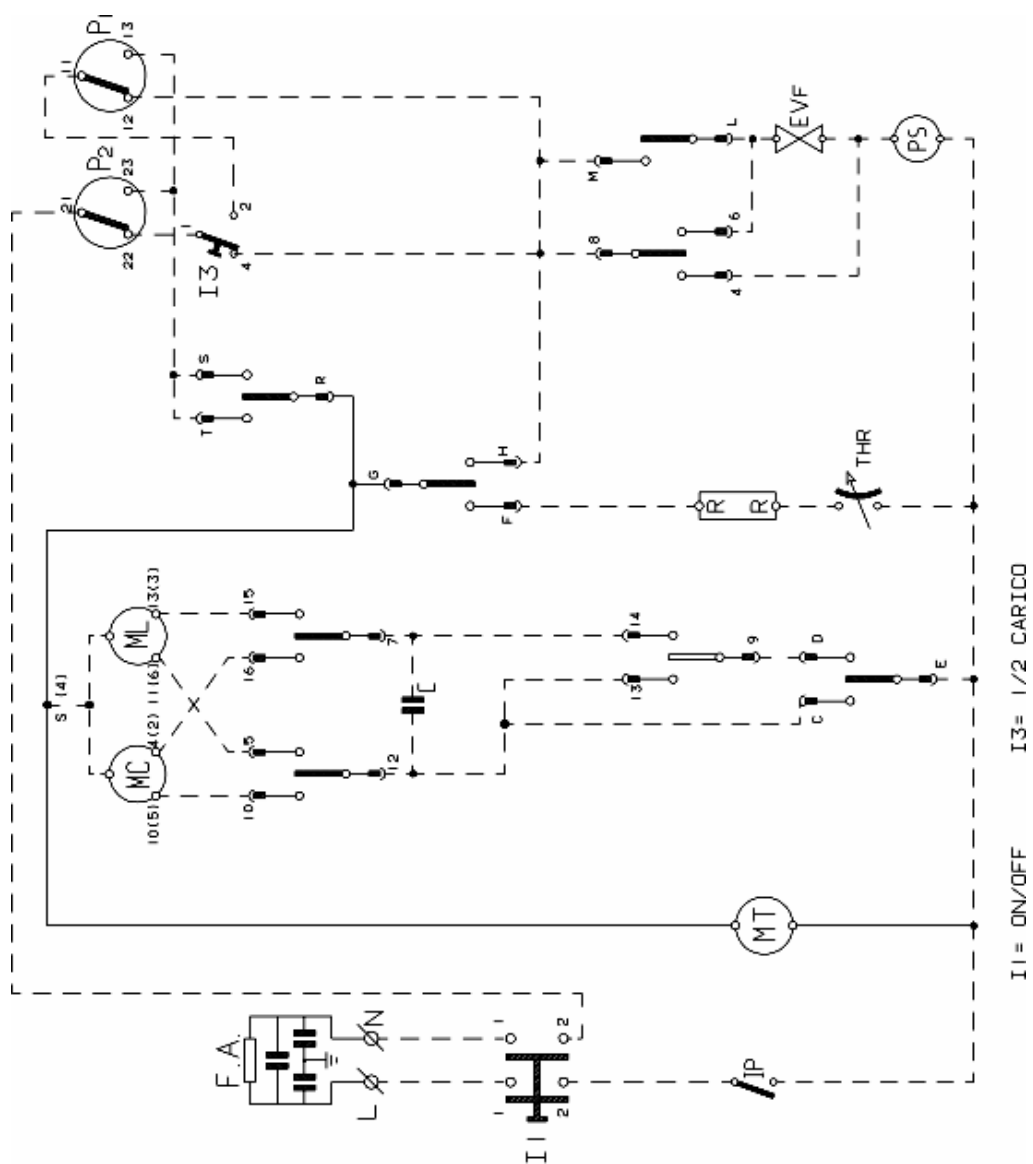
AQS	Aquastop electrovalve	Mzbn/MTA	zbn timer motor
B	Buzzer	N	Neutral or Terminal Board
BC	Blocco Cesto	NC	Spin cycle exclusion
BF	Terminal board contact, motor fan and dryer	P	Pressure switch
BP	Buzzer	P1	1st level pressure cut-off switch
C	Condensator	P2	2nd level pressure cut-off switch
CA	Condensator	PA	High speed potentiometer
DV	Switching device	PB	Low speed potentiometer
EF/CL	Electro-Valve Cold Water / Bleach	PL	Pure Wool
EF/L	Electro-Valve Cold Water / Wash	PM	Motor Thermoprotector
EF/P	Electro-Valve Cold Water / Prewash	PR	Timer programmer or Pressure switch
ER	Exclude Heating Element	PS	Drain pump
ET	Thermostat disactivation	R	Heating element
EV	Electrovalve	RE	Relay
EVA	Dryer electrovalve	RR	Heating element
EVC	Hot water electrovalve	RV	Speed regulator
EVF	Elettrovalvola acqua fredda	Ras/RA	Dryer heating element
EVL	Wash electrovalve	S	LED
EVP	Pre Wash electrovalve	SL	Line LED
FA	Antijamming filter	SO	Door LED
FD	Delicate drying cycle thermostat	SR	Heating LED
FE	Strong drying cycle thermostat	ST	Temperature selector
FRT	Thermofusible Heating Element	SV	Speed Selector for Spin
I	Inverter	T	Timer contacts
II..2..3..	Switches/switching devices	TA	Drying timer contacts
IA	Switch On/Off	TB	Low Temperature Thermostat
IC	Switch N.C. - 1/2 Load	TC	Spider wheel earth
ID	Switch display	TFL	Flange earth
IE	Water Saving Device	TG	Main earth
IF	Switch - Spin Reduction	TH	Thermostat
IP	Door switch	TH1	1st temperature thermostat
IR	Line switch	TH2	2nd temperature thermostat
IS	Water-stop	TH3	3rd temperature thermostat



L	Line or Lamp	THF	Operating thermostat
LB	Low Level	THR	Adjustable thermostat
LN	Normal Level	TM	Motor earth
LS	Pilot lamp	TMB	Main cabinet earth
M	Earth-symbol	TMP	Motor thermal protector
MC	Spin cycle motor	TMS	Thermostop
MI	MOTOR WITH PULLEY	TP	Thermal protector
ML	Wash cycle motor	TPS	Drain pump earth
MO	Terminal Board	TR	Heating element earth
MP	Door dip-switch	TS	Safety thermostat
MR	Thermal Lock	TT	Timer earthing connection
MT	Timer motor	TTH	Earthing Thermostat
MV	Motor fan	TV	Tank earth
MV -Ras	Dryer heating element	ZBN	Timer

Electric schemes and links

Cod. 111050b



## Legend

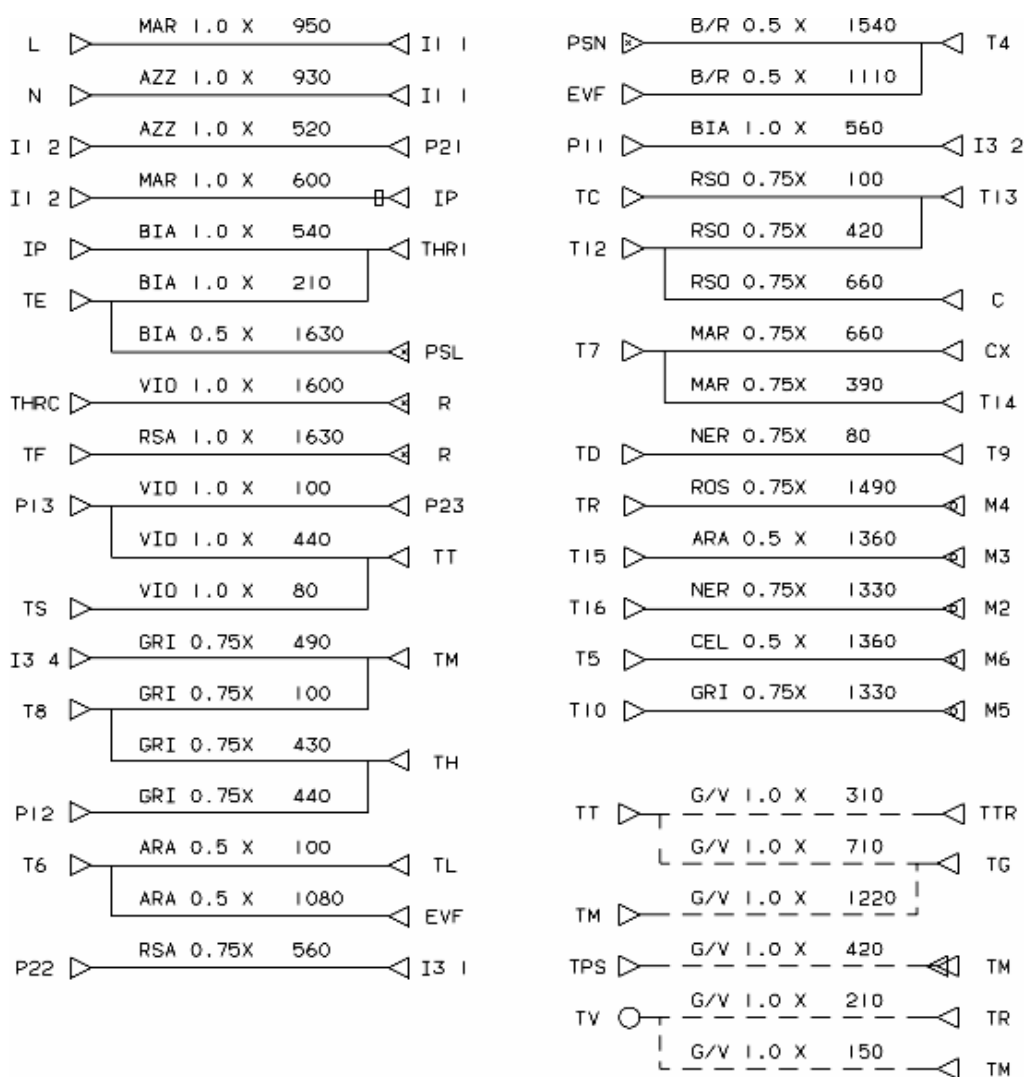
Legend: 111050b

AQS	Aquastop electrovalve	Mzbn/MTA	zbn timer motor
B	Buzzer	N	Neutral or Terminal Board
BC	Blocco Cesto	NC	Spin cycle exclusion
BF	Terminal board contact, motor fan and dryer	P	Pressure switch
BP	Buzzer	P1	1st level pressure cut-off switch
C	Condensator	P2	2nd level pressure cut-off switch
CA	Condensator	PA	High speed potentiometer
DV	Switching device	PB	Low speed potentiometer
EF/CL	Electro-Valve Cold Water / Bleach	PL	Pure Wool
EF/L	Electro-Valve Cold Water / Wash	PM	Motor Thermoprotector
EF/P	Electro-Valve Cold Water / Prewash	PR	Timer programmer or Pressure switch
ER	Exclude Heating Element	PS	Drain pump
ET	Thermostat disactivation	R	Heating element
EV	Electrovalve	RE	Relay
EVA	Dryer electrovalve	RR	Heating element
EVC	Hot water electrovalve	RV	Speed regulator
EVF	Elettrovalvola acqua fredda	Ras/RA	Dryer heating element
EVL	Wash electrovalve	S	LED
EVP	Pre Wash electrovalve	SL	Line LED
FA	Antijamming filter	SO	Door LED
FD	Delicate drying cycle thermostat	SR	Heating LED
FE	Strong drying cycle thermostat	ST	Temperature selector
FRT	Thermofusible Heating Element	SV	Speed Selector for Spin
I	Inverter	T	Timer contacts
II...2...3..	Switches/switching devices	TA	Drying timer contacts
IA	Switch On/Off	TB	Low Temperature Thermostat
IC	Switch N.C. - 1/2 Load	TC	Spider wheel earth
ID	Switch display	TFL	Flange earth
IE	Water Saving Device	TG	Main earth
IF	Switch - Spin Reduction	TH	Thermostat
IP	Door switch	TH1	1st temperature thermostat
IR	Line switch	TH2	2nd temperature thermostat
IS	Water-stop	TH3	3rd temperature thermostat

L	Line or Lamp	THF	Operating thermostat
LB	Low Level	THR	Adjustable thermostat
LN	Normal Level	TM	Motor earth
LS	Pilot lamp	TMB	Main cabinet earth
M	Earth-symbol	TMP	Motor thermal protector
MC	Spin cycle motor	TMS	Thermostop
MI	MOTOR WITH PULLEY	TP	Thermal protector
ML	Wash cycle motor	TPS	Drain pump earth
MO	Terminal Board	TR	Heating element earth
MP	Door dip-switch	TS	Safety thermostat
MR	Thermal Lock	TT	Timer earthing connection
MT	Timer motor	TTH	Earthing Thermostat
MV	Motor fan	TV	Tank earth
MV -Ras	Dryer heating element	ZBN	Timer

### Electric schemes and links

Cod. 111050c



## Legend

Legend: 111050c

AQS	Aquastop electrovalve	Mzbn/MTA	zbn timer motor
B	Buzzer	N	Neutral or Terminal Board
BC	Blocco Cesto	NC	Spin cycle exclusion
BF	Terminal board contact, motor fan and dryer	P	Pressure switch
BP	Buzzer	P1	1st level pressure cut-off switch
C	Condensator	P2	2nd level pressure cut-off switch
CA	Condensator	PA	High speed potentiometer
DV	Switching device	PB	Low speed potentiometer
EF/CL	Electro-Valve Cold Water / Bleach	PL	Pure Wool
EF/L	Electro-Valve Cold Water / Wash	PM	Motor Thermoprotector
EF/P	Electro-Valve Cold Water / Prewash	PR	Timer programmer or Pressure switch
ER	Exclude Heating Element	PS	Drain pump
ET	Thermostat disactivation	R	Heating element
EV	Electrovalve	RE	Relay
EVA	Dryer electrovalve	RR	Heating element
EVC	Hot water electrovalve	RV	Speed regulator
EVF	Elettrovalvola acqua fredda	Ras/RA	Dryer heating element
EVL	Wash electrovalve	S	LED
EVP	Pre Wash electrovalve	SL	Line LED
FA	Antijamming filter	SO	Door LED
FD	Delicate drying cycle thermostat	SR	Heating LED
FE	Strong drying cycle thermostat	ST	Temperature selector
FRT	Thermofusible Heating Element	SV	Speed Selector for Spin
I	Inverter	T	Timer contacts
II...2...3..	Switches/switching devices	TA	Drying timer contacts
IA	Switch On/Off	TB	Low Temperature Thermostat
IC	Switch N.C. - 1/2 Load	TC	Spider wheel earth
ID	Switch display	TFL	Flange earth
IE	Water Saving Device	TG	Main earth
IF	Switch - Spin Reduction	TH	Thermostat
IP	Door switch	TH1	1st temperature thermostat
IR	Line switch	TH2	2nd temperature thermostat
IS	Water-stop	TH3	3rd temperature thermostat

L	Line or Lamp	THF	Operating thermostat
LB	Low Level	THR	Adjustable thermostat
LN	Normal Level	TM	Motor earth
LS	Pilot lamp	TMB	Main cabinet earth
M	Earth-symbol	TMP	Motor thermal protector
MC	Spin cycle motor	TMS	Thermostop
MI	MOTOR WITH PULLEY	TP	Thermal protector
ML	Wash cycle motor	TPS	Drain pump earth
MO	Terminal Board	TR	Heating element earth
MP	Door dip-switch	TS	Safety thermostat
MR	Thermal Lock	TT	Timer earthing connection
MT	Timer motor	TTH	Earthing Thermostat
MV	Motor fan	TV	Tank earth
MV -Ras	Dryer heating element	ZBN	Timer